

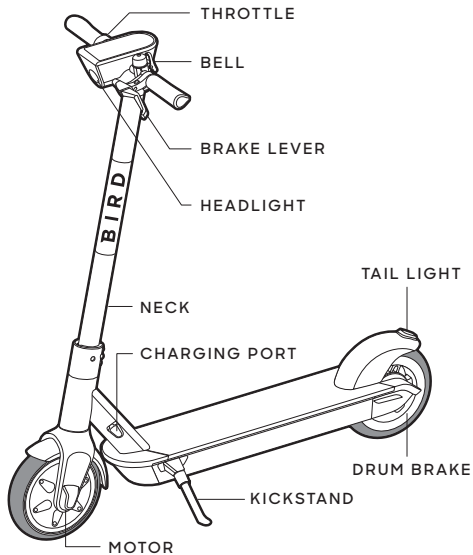


Get started.

English (EN)

BirdOne

1 Meet the One.



x4



OB11SC6

x1



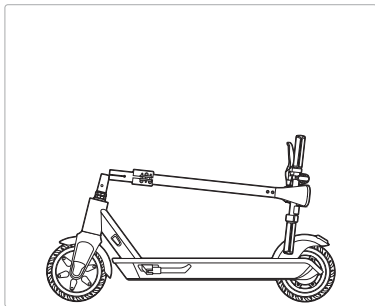
OB199T1

x1



OB15PS1

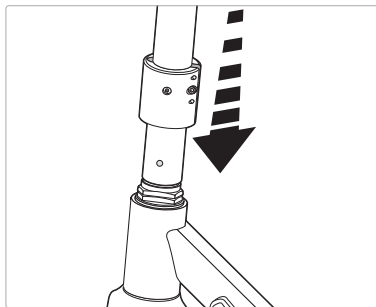
2 Assembling the One.



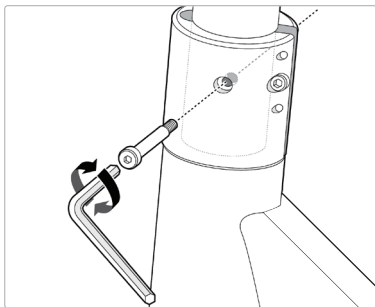
- 1 Rotate oval tube and align opening with the fork stem shaft.



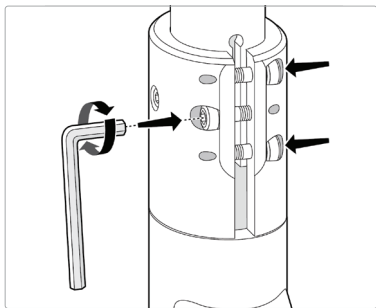
- 2 Align oval tube and fork stem shaft bolt holes. Align holes by rotating the oval tube until it is aligned with the fork stem.



- 3** Slide down collar down until it bottoms out on the main frame.

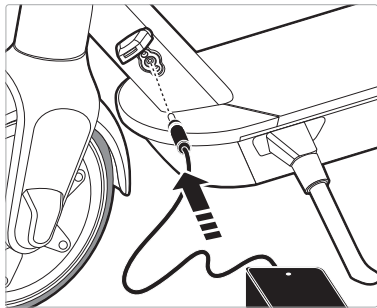


- 4** Ensure collar hole aligns with fork stem and oval tube holes. Once aligned, insert the M5 shoulder bolt and tighten. Tighten until shoulder bolt no longer rotates.



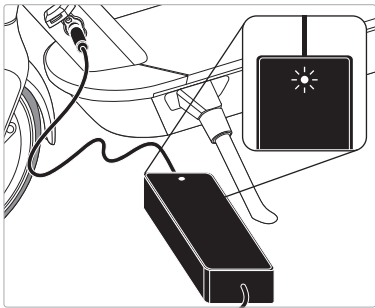
- 5 Tighten all 3 collar screws. To avoid serious injury, the three collar screws must be tightened securely before riding.

3 Charging



1 CONNECT THE POWER ADAPTER

Once you've assembled your Bird One, it's time to charge. Use the included power supply and connect it to the charging port.



2 FINISH CHARGING

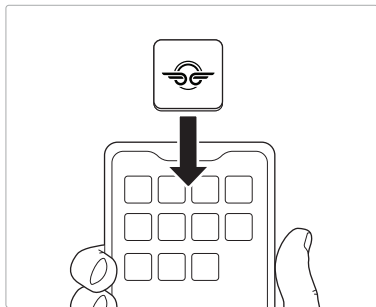
When fully charged, a green light on the power supply indicates the charge is complete. Disconnect the power supply from the charging port before riding.

⚠ WARNING: Do not attempt to charge if the charging port or power adaptor is wet.

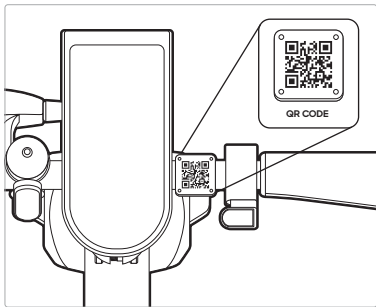
⚠ WARNING: Ambient temperature must be 32-104°F (0-40°C)* during charging. The battery will not charge outside of these temperature limits.

⚠ WARNING: Risk of Fire: Do not attempt to disassemble the charger. No user serviceable parts.

4 Get the app and pair your Bird One.

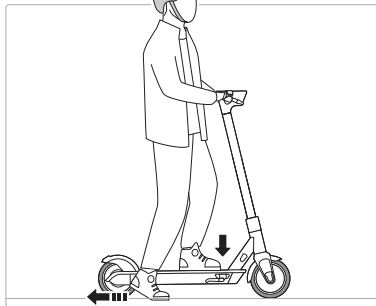


1 Download the Bird app on your device.



2 Open the app to scan the QR code and pair to your Bird One.

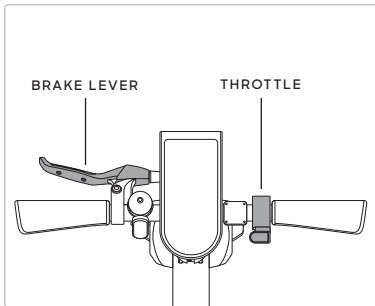
5 Riding



1 STARTING

To start a ride, first, make sure to fold in the kickstand. Kick to start the Bird One by having one foot on the vehicle and one foot on the ground. Push the vehicle with at least two kicks before boarding it to ride.

Press the throttle (accelerator) down at the right handlebar to accelerate the scooter.



2 STOPPING

Use the brake at the left handlebar to decelerate or stop the vehicle.

Cleaning and Storage

- Use a soft, wet cloth to wipe the mainframe clean. Hard to remove dirt can be scrubbed with a toothbrush, then cleaned with a soft wet cloth.
- Do not wash your Bird One with alcohol, gasoline, acetone, or other corrosive solvents. These substances may damage the appearance and internal structure of your Bird One. Do not wash your Bird One with a power washer or hose.
- Warning – Make sure your Bird One is powered OFF and the charging cable is unplugged before cleaning; otherwise you may damage the electronic components.
- Storage Temperatures: -10-40°C (14-104°F)

Battery Pack Maintenance

- Do not store or charge the battery at temperatures outside of the stated limits (see specifications). Do not puncture the battery. Refer to your local laws and regulations regarding battery recycling and/or disposal.
- A well maintained battery can perform well even after many miles of riding. Charge the battery after each ride to avoid draining the battery completely. When used at room temperature (22 °C [70 °F]) the battery range and performance is best.
- **Warning:** Do not attempt to disassemble the battery. Risk of fire. No user serviceable parts.
- **Warning:** Do not ride when the ambient temperature is outside of the operation temperature (see specifications), because low/high temperature will limit the maximum power/torque. Doing so could cause personal injury or property damage due to slips or falls.

Maintaining Your Bird One

- Like all vehicles, your Bird One will need maintenance from time to time. For more info on maintenance, please review the Bird One Pre-Flight Checklist and Bird One User Manual, which are accessible at support.bird.co.
- **No zeros:** Prevent delays by keeping your Bird charged.
- **Clear Skies:** Avoid riding your Bird during and after wet or extreme weather conditions (rain, snow, etc.).
- **The art of Bird maintenance:** Examine the following Bird parts before every ride to keep your Bird in great shape. As always, we're here to help should an issue arise. Please email us at hello@bird.co if you have any questions about your Bird maintenance.
- **Hand brakes:** The wheel should not rotate when braking—test it by rolling your Bird forward and back while squeezing the brake lever.
- **Tires:** Make sure the tires are in good condition and still have sufficient tread.
- **Fenders:** Both the front and rear wheel fenders should be in place and connected securely to the frame.
- **Steering:** Move the handlebars back and forth to check that the steering is tight. Also rotate the handlebars to the left and right to make sure the steering is smooth and doesn't bind or stick in any way.
- **Gimme shelter:** If you leave your Bird outside, keep it dry by placing it under a cover. Take your Bird inside in case of extreme weather conditions and temperatures.

Bird One Specs

Braking	Regenerative front motor; rear drum
Splash resistant	IP34
Wheels	9" semi-solid pneumatic (228.6 mm)
Battery	12800 mAH
Charging	Power supply unit with charging cable
Length	110 cm
Width	46 cm
Height	119 cm
Weight	17.5 kg
Input voltage	42V
Input Current	2.0 A Max



Questions? We've got answers.

Visit support.bird.co for help.

Bird Rides Europe B.V.,

Rokin 92, 1012 KZ, Amsterdam, Netherlands

support@bird.co

Original Instructions & Safety Guidelines

Before each use, conduct a basic safety inspection of the Bird One, including: (i) calibration of the wheels & condition of tires; (ii) safe operation of all brakes and lights; (iii) good condition of the frame; (iv) sufficient battery charge power; and (v) any sign of damage, unusual or excessive wear, or other open and obvious mechanical problem/maintenance needs.

Components shall be maintained and repaired in accordance with the manufacturer's specifications and using only the manufacturer's authorized replacement parts with installation performed by dealers or other skilled persons.

Do not modify the scooter as it will void your warranty and introduce potential safety issues. Read and understand all safety warnings listed on the product label.

- Recommended age: 16+ years old.
- Risk of injury or death from loss of control, collisions, and falls. Helmets and other protective equipment are highly recommended and may be required by law.
- Be sure to read the User Manual local to your region found on support.bird.co
- Product warranty for your region can be found by visiting support.bird.co
- Comply with local laws and regulations when riding this product. Do not ride where prohibited by local law.
- Ensure that intended area of operation is safe. Do not ride in the snow, in the rain, or on roads which are wet, muddy, icy, or that are slippery for any reason. Do not ride over obstacles.
- Avoid sharp bumps, drainage grates, and sudden surface changes.
- The scooter should not be used for racing, stunt riding, or other maneuvers.
- Avoid contact with moving parts. Ensure hands, feet, hair, clothing, and other body parts stay clear of moving parts like the motor or rear wheel.
- ALWAYS keep both hands on the handlebar when riding.

Original Instructions & Safety Guidelines

- Maximum weight: 220.0 lb (99.8 kg). No more than one rider should ride at a time.
- You should not ride the Bird One:
 - if under the influence of alcohol or drugs,
 - if you have a heart condition, are pregnant, have head, back, or neck ailments which limit your ability to ride safely,
 - if you have any mental or physical conditions that may make you susceptible to injury or impair your physical dexterity or mental capabilities to recognize, understand, and perform all of the safety instructions and to be able to assume the hazards inherent with the Bird One.
- DO NOT attempt to disassemble the battery. Risk of fire.
- Never modify the electrical system as this may result in a risk of electric shock, electrocution, or fire.
- DO NOT attempt to charge a vehicle while wet.
- DO NOT ride or attempt to charge a vehicle that has been submerged in water or if there is risk of water intrusion into the battery compartment, even if the vehicle is no longer wet. Contact Bird for further instructions.
- To prevent electric shock when cleaning, remove the charger plug from the outlet and wipe vehicle with a dry cloth.
- Only use the charging cable provided by the manufacturer.
- Only store in dry areas. Never store in wet conditions.

Declaration of Conformity

Bird - Bird One

Manufacturer: Bird Rides, Inc., 406 Broadway Avenue #369, Santa Monica, CA 90401

Declares that the Bird One models 591B / 591W / 591P conform to the requirements of: Machinery Directive (2006/42/EC), the EMC Directive (2014/30/EU), the Low Voltage Directive (2014/35/EU) and the Radio Equipment Directive (2014/53/EU)

Reports:

SZHH01460633
GZES190401539502
GZES200501844001
GZES2005018440MDC
GZEM190401213802

Testing Facility:

SGS-CSTC Standards Technical Services Co., Ltd.
Guangzhou Branch
198 Kezhu Road, Science City, Economic & Technology
Development Area, Guangzhou, Guangdong, China

Applicable Harmonized standards:

2006/42/EC Annex 1
EN ISO 12100:2010
EN 60335-1:2012+A11:2014+A13:2017
EN 61000-6-1:2007
EN 61000-6-3:2007+A1:2011
EN 300 328 v2.1.1
EN 303 413 v1.1.1
EN 301 908-1v11.1.1, -2 v11.1.2, -13 v11.1.2
EN 301 511 v12.5.1
EN 301 489-1v2.2.0, -17 v3.2.0, -19 v2.1.0, -52 v1.1.0
EN 60950-1:2006+A11:2009+A1:2010+A12:2011+A2:2013
EN 50566:2017
EN 50663:2017
EN 62479:2010
(RoHS) 2011/65/UE



B I R D

© Bird Rides Europe. Bird Rides Europe B.V., Rokin 92, 1012 KZ
Amsterdam, Netherlands. All rights reserved.
Bird and the Bird logo are registered trademarks of Bird Rides, Inc.